



Sarns™ Modular Perfusion System 8000

A flexible, dependable, and cost-efficient modular blood pumping system

SPECIFICATIONS

Base	For four pumps	For five pumps	
Voltage/amperage	16405: 220/240 V, 6 A	16406: 220/240 V, 7 A	
Height (from floor to top of roller pump when mounted on base)	25.8" (65.5 cm)	25.8" (65.5 cm)	
Width	34.0" (86.4 cm)	42.3" (107.4 cm)	
Depth	26.9" (68.3 cm)	26.9" (68.3 cm)	
Weight	149.5 kg	172.1 kg	
Ultrasonic air sensor	5773	5785	5791
Sensor	3/8" (9.5 mm)	1/4" (6.4 mm)	1/4" (6.4 mm)
Tubing requirements	3/8" ID x 3/32" wall	1/4" ID x 1/16" wall	1/4" ID x 3/32" wall
Ultrasonic level detector	(2 standard)		
Reservoir	Functions with clear hardshell reservoirs that have a wall thickness of 0.07" – 0.15" (1.78 mm – 3.81 mm)		
Arterial monitor			
Displays	One pressure, three temperatures, two timers		
Temperature monitoring range (for YSI®* 400-type probes)	0° – 49.9°C		
Pressure monitoring range	-45 mmHg – 990 mmHg with alert and alarm settings		
Timers	Two independent timers with hours, minutes and seconds up to 9 hours, 59 minutes, 59 seconds		
Cardioplegia monitor			
Displays	Two pressures, three temperatures, two timers, volume measurement		
Temperature monitoring range (for YSI®* 400-type probes)	0° – 49.9°C		
Pressure monitoring range (2 channels)	-44 mmHg to 990 mmHg with alert and alarm settings		
Timers	Two digital timers (displaying hours, minutes and seconds) measure duration of cardioplegia delivery and time between deliveries		
Volume measurement	Tracks total and dosage volume of cardioplegia delivered		
Roller pumps	16407		
Voltage	220/240 V		
Height	13.4" (34.0 cm)		
Width	8.2" (20.8 cm)		
Depth	19.6" (49.8 cm)		
Weight	50 lbs (22.6 kg)		
Battery modules	16415		
Voltage	220/240 V		
Battery backup	Power for two pumps and all safety systems and accessories for 25 minutes		
Electronic occluder			
Tubing requirements	Min. 1/4" ID x 1/16" wall Max. 1/2" ID x 3/32" wall		
Display range	0 – 99% of maximum venous flow		
Pulsatile flow control module			
Base setting	0 – 100% of pulse height		
Width setting	0 – 100% of pulse time		
Rate	30 – 150 beats per minute		

*YSI® is a registered trademark of Yellow Springs Instruments



Sarns™ Modular Perfusion System 8000

▶ Ordering Information

DESCRIPTION	CATALOG NO.	CALLOUT
Base, 4 pump, 220/240 V	16405	1
Base, 5 pump, 220/240 V	16406	
Safety monitor	16404	2
Roller pump, 220/240 V	16407	3
Arterial monitor	16413	4
Cardioplegia monitor	16414	5
Mounting arm for System 8000 monitors	16421	6
Battery module, 220/240 V	16415	7
Venous line occluder	16418	8
Ultrasonic air sensor (choose 1 of 3)		
1/4" x 1/16" (6.4 x 1.6 mm)	5785	9
1/4" x 3/32" (6.4 x 2.4 mm)	5791	
3/8" x 3/32" (9.5 x 2.4 mm)	5773	
Cable only	149892	
Alert level sensor transducer II	195215	10
Alarm level sensor transducer II	195274	11
Level sensor pads II, gel included (60 per box)	195240	12
Reusable pressure transducer	16433301	13
Pressure transducer holder	22300030	14
Pressure transducer monitoring kit (10 per box)	16066100	15
Telescoping poles with solution rack		
5' (1.5 m) – 7' (2.1 m)	16431701	16
2' (0.6 m) pole (standard)	16553301	17
3' (0.9 m) pole (optional)	131115	
4' (1.2 m) pole (optional)	16553401	
Crossbar for 4-pump base	16426	18
Crossbar for 5-pump base	16427	
Short mounting arm with 5/8" (1.6 cm) pole	16505801	19
Long mounting arm with 5/8" (1.6 cm) pole	16505901	20
Instrument tray (includes long mounting arm with 5/8" (1.6 cm) pole)	16434101	21

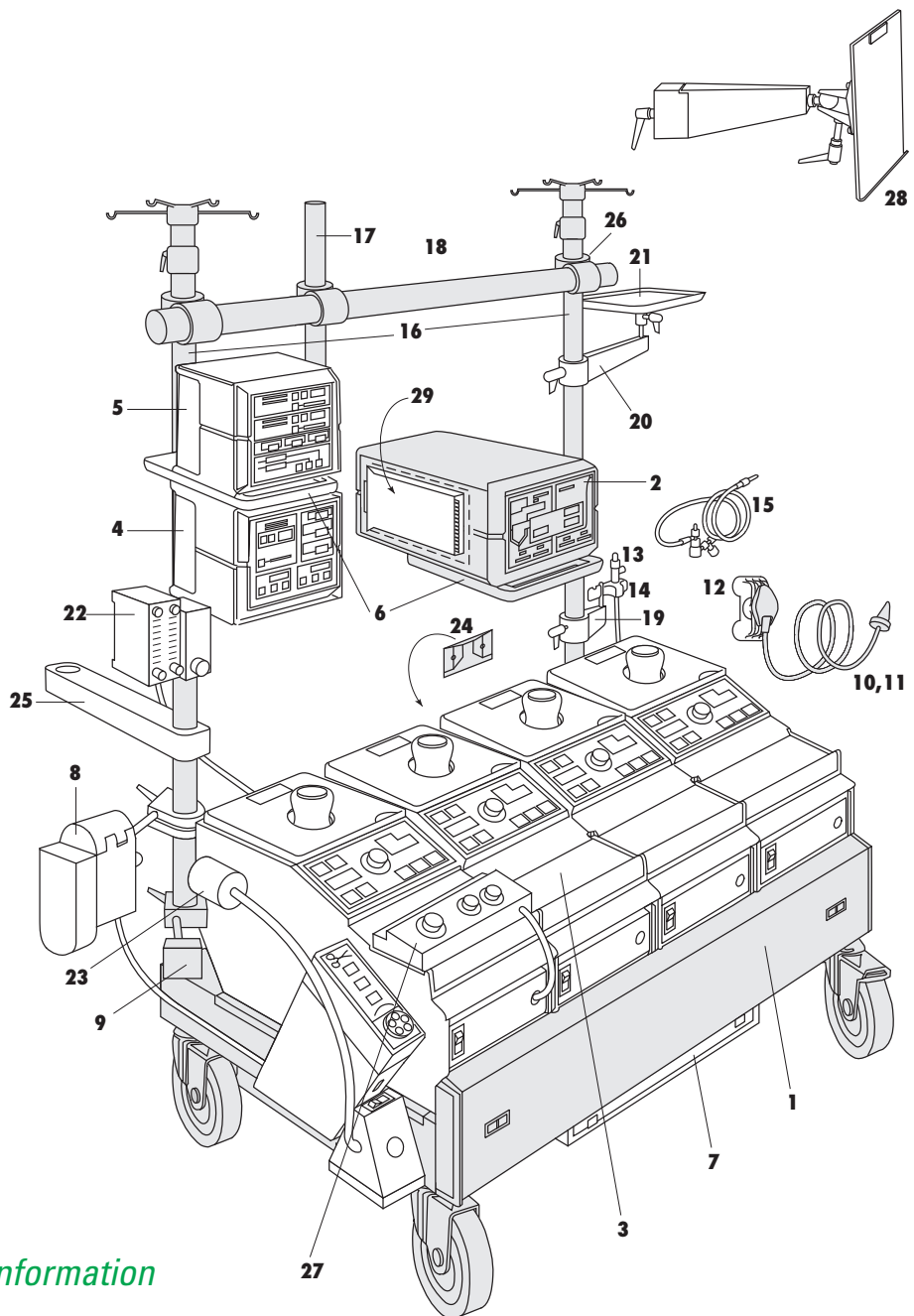
<<< Callouts refer to illustrations on next page

✔ Features

Sarns™ Modular Perfusion System 8000

- Modular design
- Four- or five-pump base
- Roller or centrifugal pumps
- Arterial and cardioplegia monitors for temperature, pressures and timers
- Battery module
- Electronic venous occluder
- Pulse module
- Communications module for data acquisition

Ordering information >>>



Standard equipment
is shown shaded

Ordering Information

DESCRIPTION	CATALOG NO.	CALLOUT	<<< Callouts refer to illustrations
Pole-mounted blender* O ₂ /air	164235	22	
Triple gas flowmeter (O ₂ /O ₂ /CO ₂)	9497		
Hose kits			
U.S. hose kit (3 hoses: green, yellow, black)	144194		
Non-U.S. hose kit (3 hoses: black, white, b/w striped)	814474		
Hose adapter sets			
NCG hose adapter set	144207	7	
D.I.S.S. hose adapter set	144215	8	
Ohio diamond hose adapter set	144223	9	
Lamp, short, 15" (38.1 cm)	16420	23	
Lamp, long, 33" (83.8 cm)	7278		
Tube clamp assembly	146835	24	
Extension arm	16425	25	
Crossbar fitting	145980	26	
Pulsatile flow control module	16416	27	
Writing surface, mounts on pole, holds 8.5" x 11" (21.6 cm x 27.9 cm) paper	4404	28	
Communications module (RS-232 port)	16417	29	
Universal adapter cord (3 prong)	143554		
Delphin cord to System 8000	134332		
Writing surface/clipboard	150527		
4-pump water module	4873		
5-pump water module	4874		
Operator's manual	135271		

*Each blender requires a hose kit and an adapter set



Top: Arterial monitor, automatic battery backup, safety monitor

Bottom: Electronic occluder/pulsalite flow control module, cardioplegia monitor, roller pump

▶ Ordering Information

DESCRIPTION	CATALOG NO.	UNITS/CASE
ACCESSORIES FOR SARNS™ PERFUSION SYSTEM 8000		
Roller pump tube clamp inserts		
1/4" ID x 1/16" wall thickness, black	6072	4
1/4" ID x 3/32" wall thickness, gold	6073	4
3/8" ID x 1/16" wall thickness, dark green	6074	4
3/8" ID x 3/32" wall thickness, red	6075	4
1/2" ID x 3/32" wall thickness, silver	6080	4
1:1 cardioplegia set, white	6077	4
2:1 cardioplegia set, tan	164195	4
4:1 cardioplegia set, blue	164190	4
8:1 cardioplegia set, red	5588	4
ACCESSORIES FOR ALL HEART-LUNG MACHINES		
Blender/flowmeter		
Pole-mounted blender* O ₂ /air with dual scale flowmeter	164235	1
Triple gas flowmeter, O ₂ /O ₂ /CO ₂	9497	1
Hose kits		
U.S. hose kit (3 hoses: green, yellow, black)	144194	1
Non-U.S. hose kit (3 hoses: black, white, b/w striped)	814474	1
Hose adapter sets		
NCG hose adapter set	144207	1
D.I.S.S. hose adapter set	144215	1
Ohio diamond hose adapter set	144223	1
Arterial pressure manometers		
0 – 300 mmHg pressure monitor assembly	5M0385	1
0 – 300 mmHg manometer	158799	1
0 – 760 mmHg pressure monitor assembly	11775	1
0 – 760 mmHg manometer	11774	1
Single ports (for arterial pressure manometer assemblies 5277 and 11775)		
3/16" ID x 1/16" wall tubing	6690	1
1/4" ID x 1/16" wall tubing	6691	1
1/2" ID x 3/32" wall tubing	6693	1

* Each blender requires a hose kit and adapter set